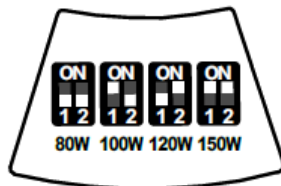


Date: _____ Location: _____
 Product: _____ Project: _____
 Quantity: _____ Catalog #: _____

LED LOC-GDHB-MW High Bay Light Series



FEATURES

- IP66 rated
- Optional microwave sensor and emergency backup
- Easy installation and maintenance
- Corrosion and rust proof
- 50,000 hours lifetime

SUITABLE APPLICATIONS

- Warehouses
- Stadiums
- Factories
- Supermarkets
- Logistic Centers
- Exhibition Halls

Special Order:

- 277-480V models

CONSTRUCTION:

Unique design with built-in sensor. The lens has a spherical design and can emit light evenly. Each product is equipped with a shorting cap which is convenient for customers to replace the sensor.

OPTICAL SYSTEM:

Seoul SMD LED chips. 60°, 90° or 120° beam angle options.

WARRANTY:

5-year limited warranty. Actual performance may differ as a result of end-user environment and application.

ELECTRICAL:

Available as 120-277V input. 5FT cord (no plug) comes standard. -30°C to 45°C, -22°F to 113°F

INSTALLATION & MOUNTING:

Hanging hook or U-Bracket (not included).

CONTROLS & DIMMING:

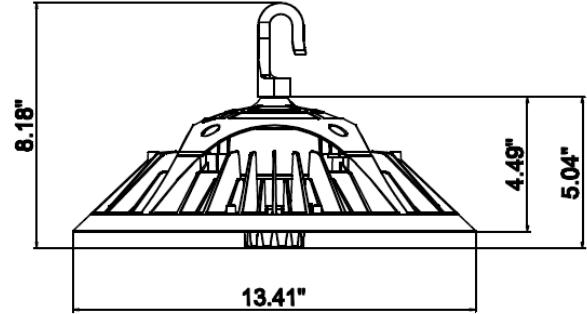
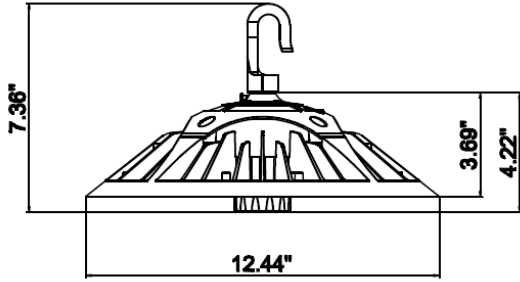
0-10V dimming comes standard. Suitable for use with LED dimmers. Motion sensor and remote-control options available.

MODEL NUMBER – 5,000K	WATTAGE	LUMENS	EFFICACY	CRI	POWER FACTOR	THD	REPLACES
LOC-GDHB-MW(80/100/120/150)50KDLV	80W	12,000LM	150LM/W	70	0.9	14%	175W – 250W HID
LOC-GDHB-MW(80/100/120/150)50KDLV	100W	15,000LM	150LM/W	70	0.9	14%	250W – 400W HID
LOC-GDHB-MW(80/100/120/150)50KDLV	120W	18,000LM	150LM/W	70	0.9	14%	250W – 400W HID
LOC-GDHB-MW(80/100/120/150)50KDLV	150W	22,500LM	150LM/W	70	0.9	14%	400W – 600W HID

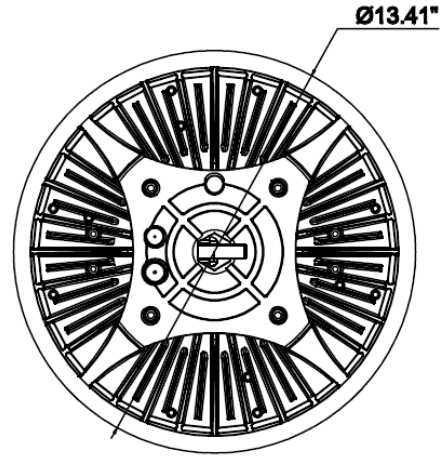
MODEL NUMBER – 5,000K	WATTAGE	LUMENS	EFFICACY	CRI	POWER FACTOR	THD	REPLACES
LOC-GDHB-MW(180/200/220/240)50KDLV	180W	27,00LM	150LM/W	70	0.9	14%	600W – 750W HID
LOC-GDHB-MW(180/200/220/240)50KDLV	200W	30,000LM	150LM/W	70	0.9	14%	600W – 750W HID
LOC-GDHB-MW(180/200/220/240)50KDLV	220W	33,000LM	150LM/W	70	0.9	14%	750W – 1,000W HID
LOC-GDHB-MW(180/200/220/240)50KDLV	240W	36,000LM	150LM/W	70	0.9	14%	750W – 1,000W HID

Series	Wattage Options	Wattage Options	CCT Options	Dimming Options	Voltage Options	Optional	Beam Angle
LOC-GDHB-MW	80W 100W 120W 150W	180W 200W 220W 240W	5,000K	0-10V Dimming Integrated Motion Sensor	LV = 120-277VAC HV = 277-480VAC	MS - Motion Sensor	60° 90° 120°

MEASUREMENTS (120-277V)



(80/100/120/150)



(180/200/220/240)

MODEL	QUANTITY	WEIGHT	UPC CODE
LOC-GDHB-MW(80/100/120/150)50KDLV	1	lbs	00810050941020
LOC-GDHB-MW(180/200/220/240)50KDLV	1	lbs	00810050941280

OPTIONAL ACCESSORIES



Motion Sensor
HD06VCRH
(compatible with remote control)



Remote Control
LOC-GDHB-HD05R



Photocell
HS05
(compatible with remote control)



Emergency Driver
LOC-HBEMDR-25WHV



Reflector